

Engine Oil Pan, Pump and Filler Tube

PD2-008

Engine Oil Pan, Pump, and Filler Tube.

Item	Part No.	Description	Qty
1	12339358	CAP, engine oil filler	1
	5743286	CAP, engine oil filler (1994)	1
2	6006826	FILLER NECK, engine oil	1
3	5740161	GROMMET, oil filler tube	1
4	5740541	PUMP AND SCREEN, oil pick up, (1993)	1
	5743233	PUMP AND SCREEN, oil pick up, (1994)	1
5	5740542	·RETAINER, pump assembly	1
6	S.I.A.	·STRAINER, pump assembly	1
7	S.I.A.	·BOLT, oil pump cover	4
8	S.I.A.	·PIN, regulating valve spring stop	1
9	S.I.A.	·DISK, oil pressure regulating valve	1
10	S.I.A.	·VALVE, relief, oil pressure	1
11	S.I.A.	·SPRING, oil pressure regulating valve	1
12	5740148	SHAFT, oil pump	1
13	5740051	GASKET, oil pump drive	1
14	5742658	OIL PUMP DRIVE ASSEMBLY	1
	5743234	OIL PUMP DRIVE ASSEMBLY (1994)	1
15	5740181	BOLT, oil pump drive	1
16	5740138	CLAMP, oil pump drive assembly	1
17	5740244	STUD, oil pump assembly	1
18	5741613	CLAMP, oil pickup tube	1
19	11515758	BOLT, oil pickup tube	1
20	11506101	NUT, oil pickup tube bracket	1
21	5740085	BOLT, engine oil pan	2
22	5588022	OIL PAN, engine (1993)	1
	5743236	OIL PAN, engine, (1994) PRE VIN No.154278	1
	5743794	OIL PAN, engine, (1994) POST VIN No. 154277	1
23	5741081	·PLUG, engine oil pan	1
24	MS35769-9	·GASKET, engine oil drainplug	1
25	5740084	SCREW, engine oil pan	20
26	5591286	STUD, engine oil pan	2
27	5740048	SEAL, engine oil pan, rear	1
	5743235	SEAL, engine oil pan, rear	1
28	5740247	NUT, oil filler neck	2
29	N/S	WASHER, flat, 1/4", oil filler neck	2

NOTE 1: PART OF CYLINDER HEAD GASKET KIT AND
SEAL SET P/N 5742119

PART OF ENGINE OVERHAUL KIT P/N 5740956

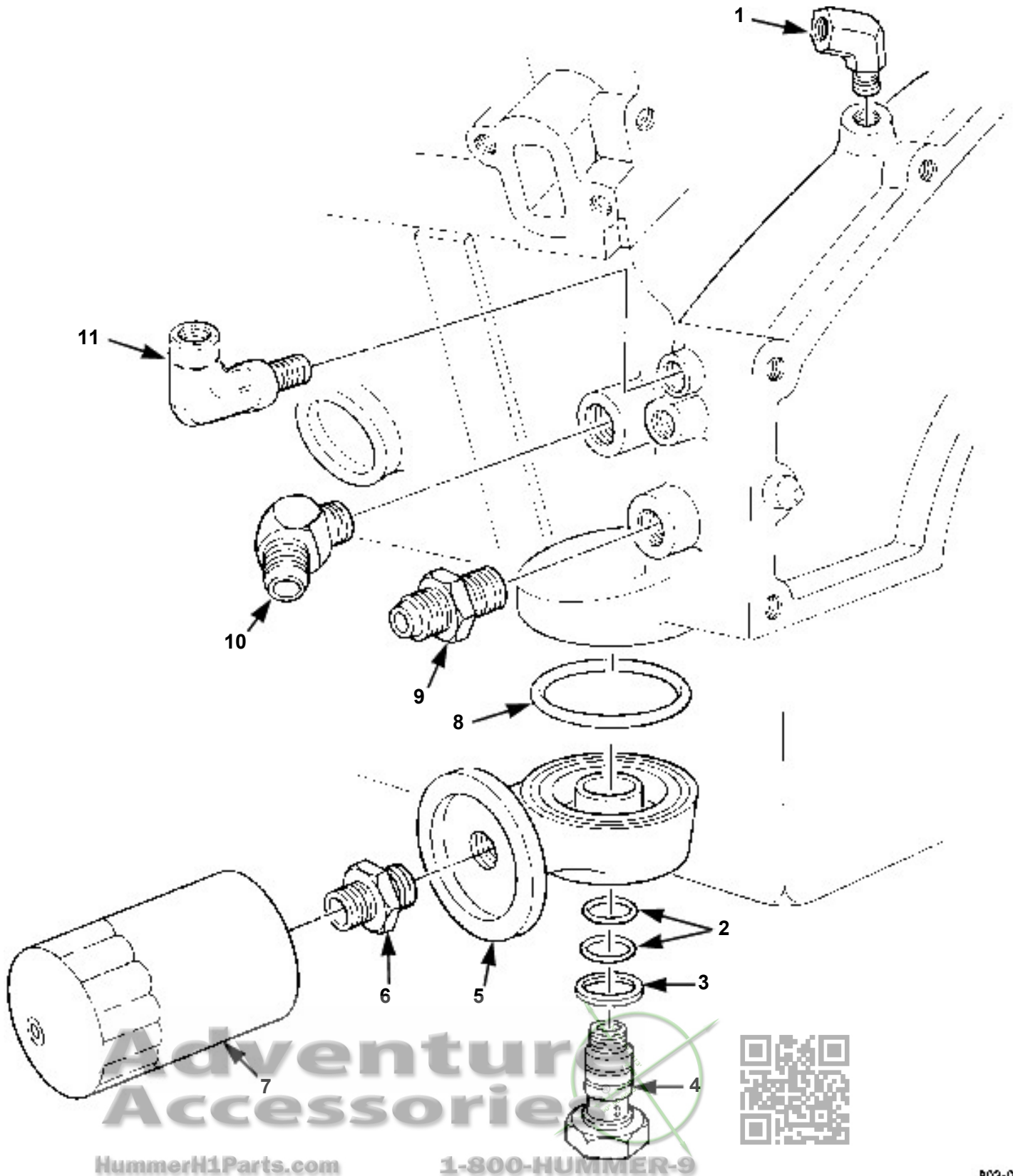
NOTE 2: PART OF OIL PAN SET 5743400

Adventure Accessories

HummerH1Parts.com

1-800-HUMMER-9





**Adventur
Accessorie**
HummerH1Parts.com 1-800-HUMMER-9



PC2-009

Oil Filter, Adapter and Oil Line Fittings

Oil Filter, Adapter, and Oil Line Fittings.

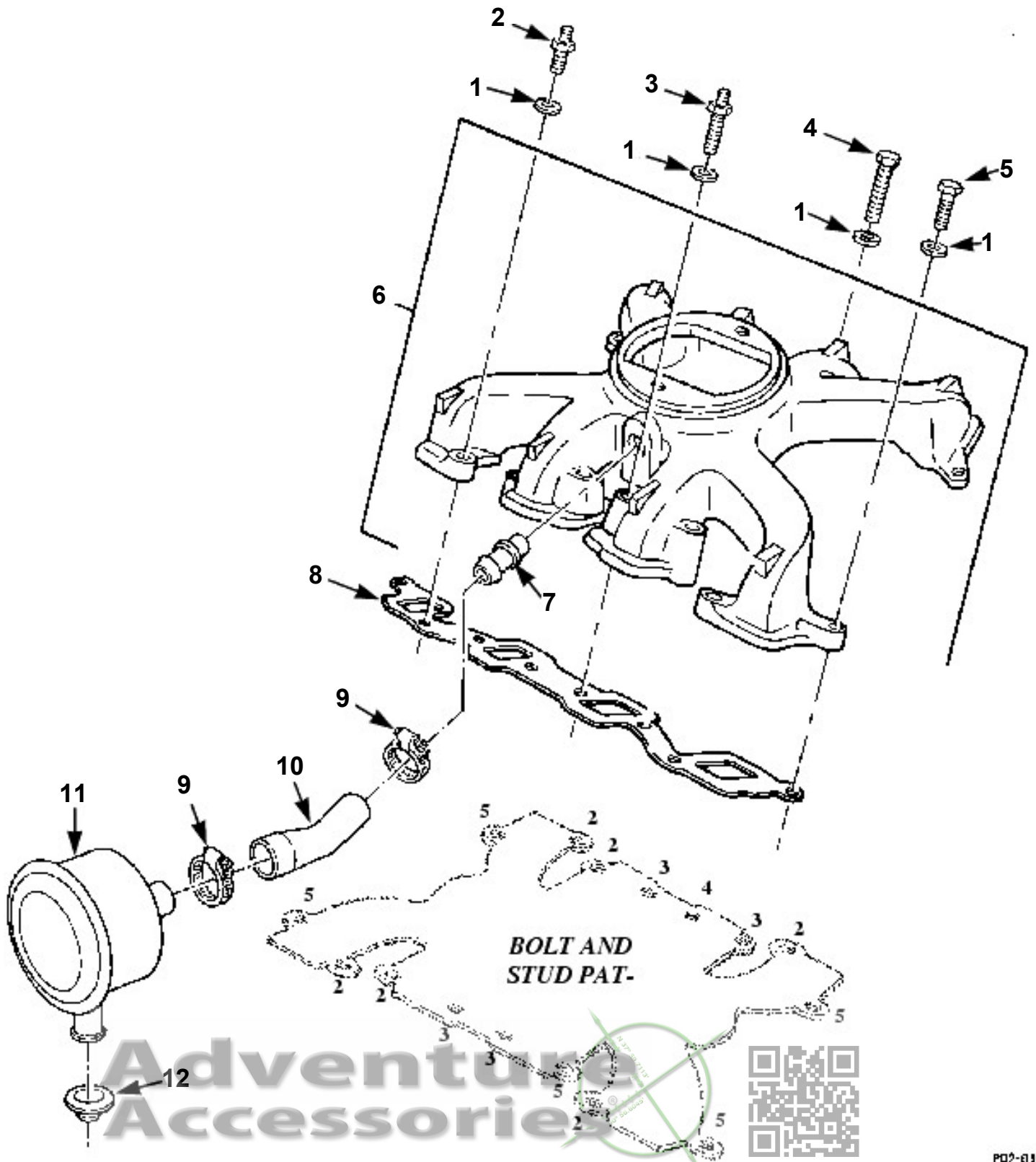
Item	Part No.	Description	Qty
1	454097	ELBOW, oil pressure sensor	1
2	MS28775-20	PACKING, oil filter adapter bolt	2
3	12339409	GASKET, oil filter adapter bolt	1
4	EC12339410	BOLT, fluid passage	1
5	12338780	BRACKET, filter mount	1
6	12339405	REDUCER, oil filter adapter	1
7	5715388	FILTER, FLUID, engine oil	1
8	MS28775-236	PACKING, oil filter adapter	1
9	12338778	ADAPTER, oil cooler outlet hose	1
10	12338776	ELBOW, 37 Deg flare	1
11	6000272	ELBOW, oil pressure switch	1

**Adventure
Accessories**

HummerH1Parts.com

1-800-HUMMER-9





Adventure Accessories
HummerH1Parts.com 1-800-HUMMER-9

Air Intake Manifold, Crankcase Depression Regulator Valve, and Mounting Hardware

P02-010

Air Intake manifold, Crankcase Depression Regulator Valve, and M

Item	Part No.	Description	Qty
1	2436164	WASHER, flat	16
2	12339406-2	STUD, intake manifold	6
3	5740053	STUD, intake manifold	4
4	11509265	SCREW, cap, hexagon	1
5	5740181	BOLT, self-locking	5
6	5740057	MANIFOLD, intake	1
7	5741614	ADAPTER, straight	1
8	5714850	GASKET KIT, SEE NOTES 1 AND 2	2
9	11608950-5	CLAMP, CDR valve hose	2
10	5742652	HOSE, preformed, CDR valve to air intake manifold	1
11	5714132	SENSOR, air charged	1
12	5714233	GROMMET, CDR valve mounting	1

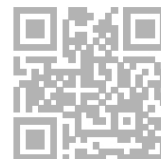
NOTE 1: PART OF CYLINDER HEAD GASKET KIT AND SEAL SET P/N 5742119

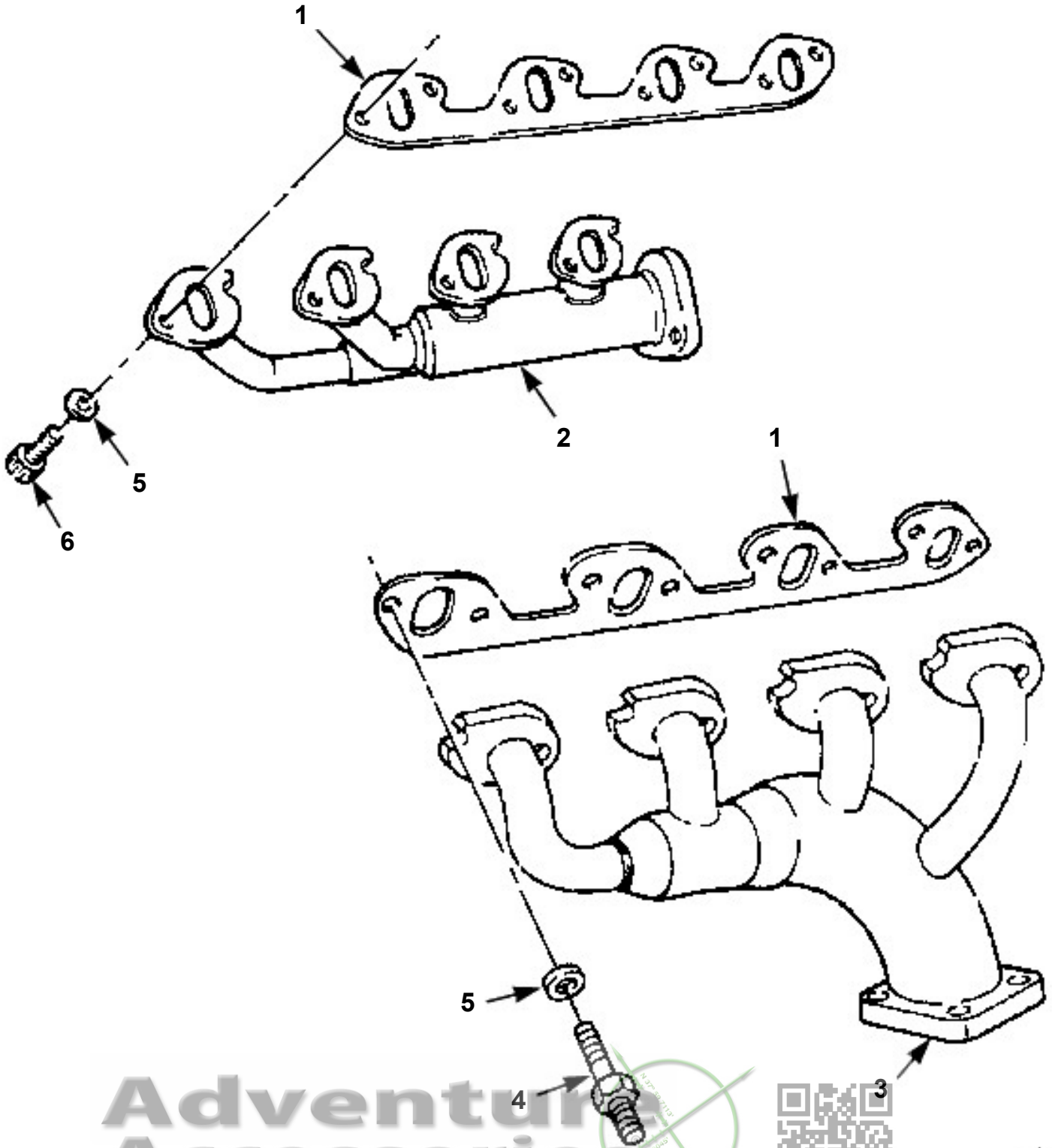
NOTE 2: NOTE 1:PART OF GASKET SET P/N 5714842

**Adventure
Accessories**

HummerH1Parts.com

1-800-HUMMER-9

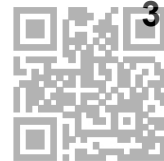




**Adventure
Accessories**

HummerH1Parts.com

1-800-HUMMER-9



P02-011

Exhaust Manifolds

Exhaust Manifolds.

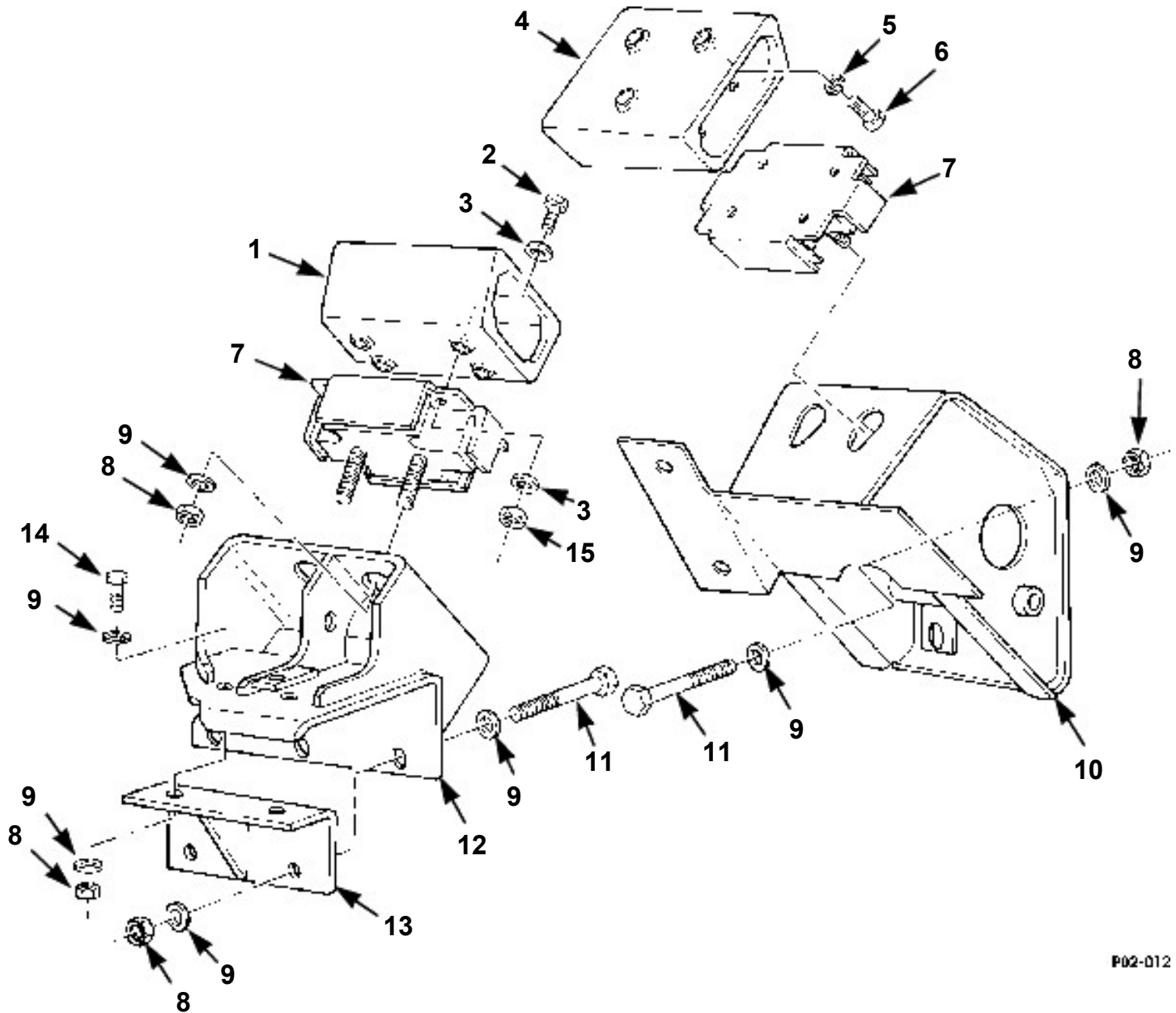
Item	Part No.	Description	Qty
1	12339414	GASKET, exhaust manifold	2
2	12338788	MANIFOLD, exhaust, R.H.	1
3	12338787	MANIFOLD, exhaust, L.H.	1
4	12339406-4	STUD, exhaust manifold, L.H.	1
5	N/S	WASHER, M10, narrow	16
6	12339239-1	SCREW, exhaust manifold	15

**Adventure
Accessories**

HummerH1Parts.com

1-800-HUMMER-9





P02-012

**Adventure
Accessories**
HummerH1Parts.com 1-800-HUMMER-9



Engine Mounting Brackets

HUMMER H1 1994 Parts Catalog
Engine Mounting Brackets.

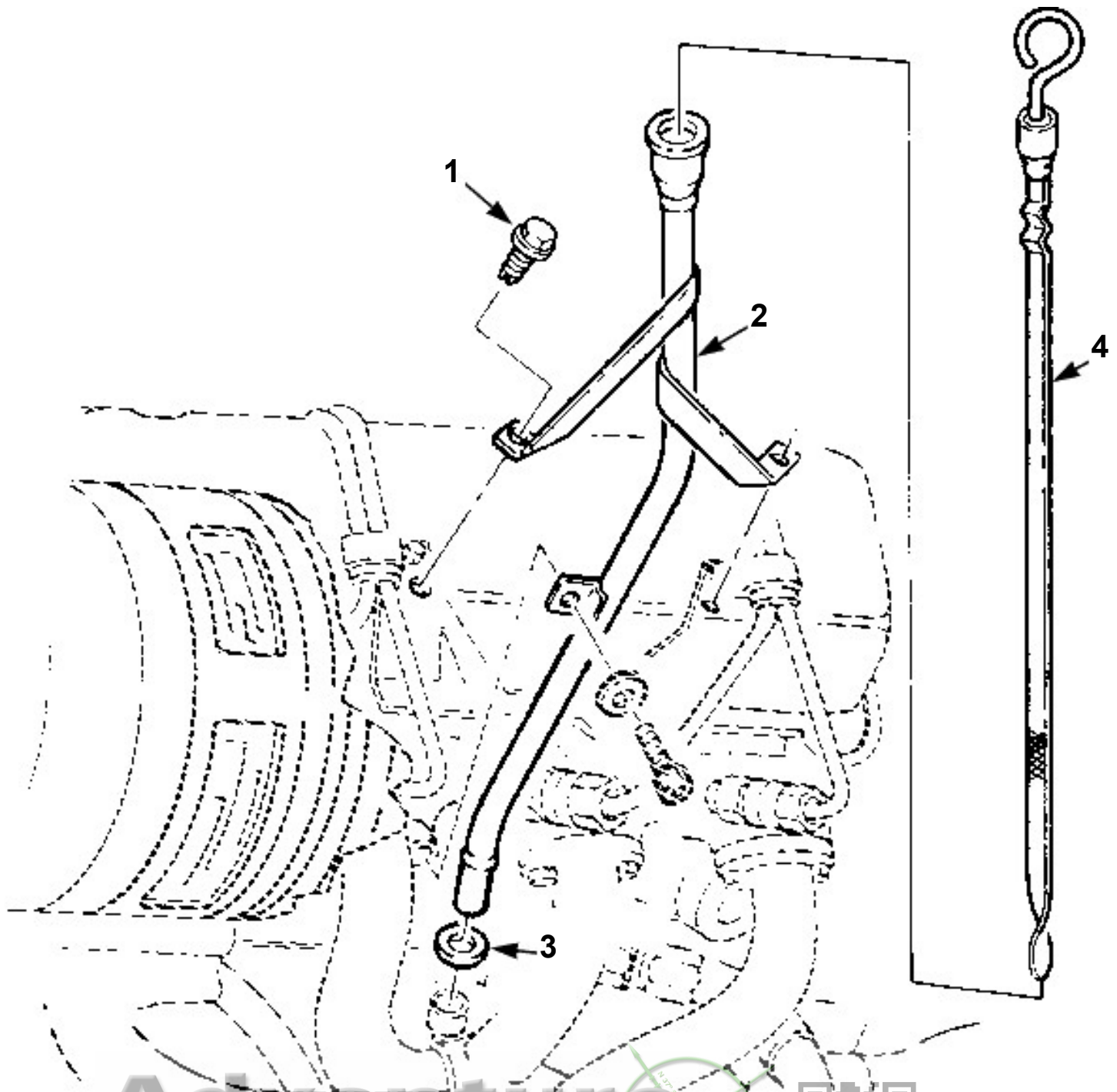
Item	Part No.	Description	Qty
1	12339133	BRACKET, engine block to insulator, R.H.	1
2	MS90728-62	SCREW, insulator to engine mount	8
3	2436163	WASHER, flat	16
4	12339132	BRACKET, engine block to insulator, L.H.	1
5	MS35338-46	LOCKWASHER, engine mount	6
6	MS90728-60	SCREW, engine mount	6
7	12339179	MOUNT, resilient	2
8	MS51943-39	NUT, engine mount	13
9	2436165	WASHER, flat	22
10	EC12338205B1	BRACKET, frame to insulator	1
11	N/S	SCREW, 1/2 - 13 x 4 1/2, Gr8, DT, engine mount	7
12	EC12338183B1	BRACKET, frame to insulator, R.H.	1
13	EC12338163B1	BRACKET, engine mount	1
14	MS90728-111	SCREW, bracket to engine mount	2
15	MS51943-35	NUT, insulator to engine mount	8

**Adventure
Accessories**

HummerH1Parts.com

1-800-HUMMER-9





**Adventure
Accessories**

HummerH1Parts.com

1-800-HUMMER-9

Engine Oil Dipstick and Tube Assembly

PC2-D13

Engine Oil Dipstick and Tube Assembly.

Item	Part No.	Description	Qty
1	12340515	SCREW, engine oil dipstick tube	2
	5741162	SCREW, engine oil dipstick tube (1994) (not illustrated)	2
2	5743292	TUBE, dipstick PRE VIN No.154278 (not illustrated)	1
	12339170	TUBE ASSEMBLY, engine oil dipstick, POST VIN No. 154277	1
3	274244	O-RING, tube assembly	1
4	5743291	DIPSTICK, engine oil level PRE VIN No.154278(not illustrated)	1
	6002645	DIPSTICK, engine oil level POST VIN No. 154277	1
	6003863B1	BRACKET, tube support, (1994) (not illustrated)	1

**Adventure
Accessories**

HummerH1Parts.com

1-800-HUMMER-9

